

E5 Cam Latch

Stainless steel · Tool operated · Fixed grip

Features

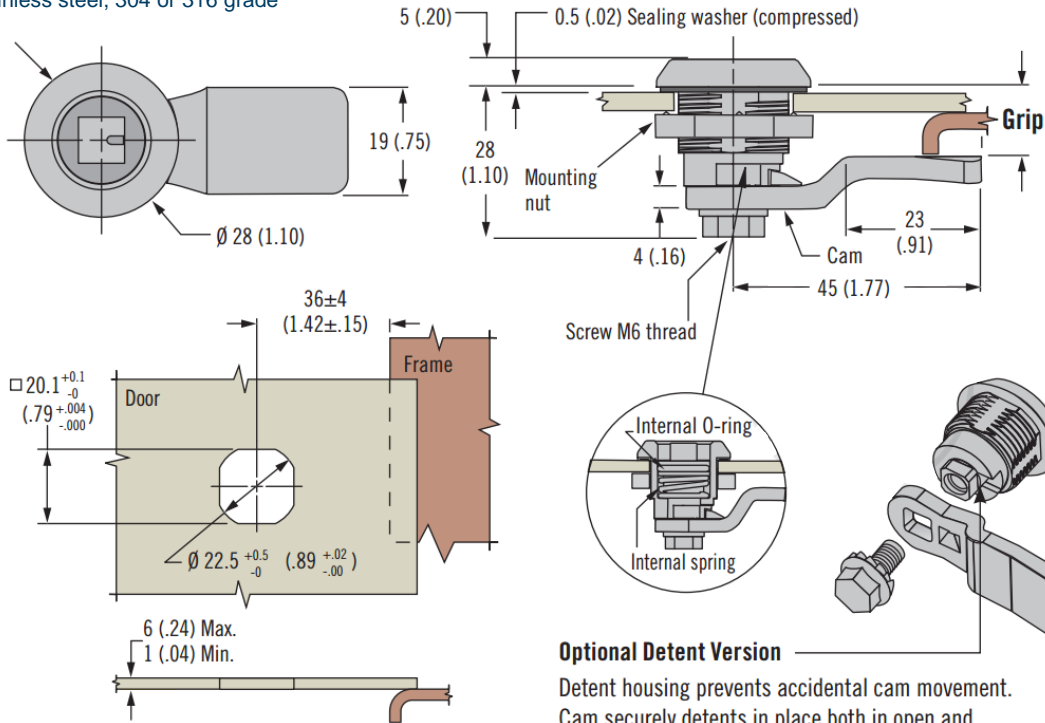
- Single hole install
- Latched / unlatched indicator
- EN 45545-3 E60 Compliant
- NEMA 4 / IP65 achieved using supplied gasket

Material

- Stainless steel, 304 or 316 grade

Product Performance

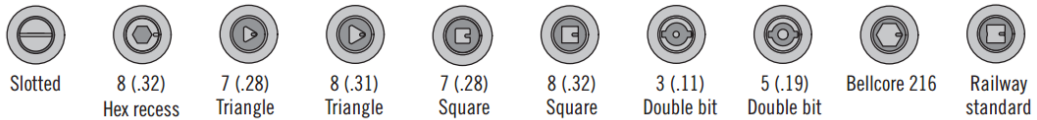
- Maximum static load:
 - 304 Stainless steel - 550 N
 - 316 Stainless steel - 670 N
- Mounting nut maximum tightening torque: 20 N.m
- Screw maximum tightening torque: 10 N.m



Optional Detent Version

Detent housing prevents accidental cam movement. Cam securely detents in place both in open and closed positions.

H Head Styles



Latch Part Number (no cam) **E5 - B - H M - UU1**

- B Body**
 - 6 Normal housing
 - 32 Detented housing
- H Head style**
 - 00 Slotted
 - 01 8 (.32) Hex recess
 - 02 7 (.28) Triangle
 - 03 8 (.32) Triangle
 - 04 7 (.28) Square
 - 05 8 (.32) Square
 - 06 3 (.11) Double bit
 - 07 5 (.19) Double bit
 - 13 Bellcore 216
 - 22 Railway standard
- M Material**
 - 24 304 Stainless steel
 - 27 316 Stainless steel



Cam Part Number Table (order separately from latch)											
Grip +2(.08) - 0 (.00)	Part Number		Grip +2(.08) - 0 (.00)	Part Number		Grip +2(.08) - 0 (.00)	Part Number		Grip +2(.08) - 0 (.00)	Part Number	
	304 Stainless steel	316 Stainless steel		304 Stainless steel	316 Stainless steel		304 Stainless steel	316 Stainless steel		304 Stainless steel	316 Stainless steel
4 (.16)	E5-8003	E5-9003	14 (.55)	E5-8008	E5-9008	24 (.94)	E5-8013	E5-9013	34 (1.34)	E5-8018	E5-9018
6 (.24)	E5-8004	E5-9004	16 (.63)	E5-8009	E5-9009	26 (1.02)	E5-8014	E5-9014	36 (1.42)	E5-8019	E5-9019
8 (.31)	E5-8005	E5-9005	18 (.71)	E5-8010	E5-9010	28 (1.10)	E5-8015	E5-9015	38 (1.50)	E5-8020	E5-9020
10 (.39)	E5-8006	E5-9006	20 (.79)	E5-8011	E5-9011	30 (1.18)	E5-8016	E5-9016	40 (1.57)	E5-8021	E5-9021
12 (.47)	E5-8007	E5-9007	22 (.87)	E5-8012	E5-9012	32 (1.25)	E5-8017	E5-9017	42 (1.65)	E5-8022	E5-9022

E5 Cam Latch Accessories

Keys and flush mount bracket

Material

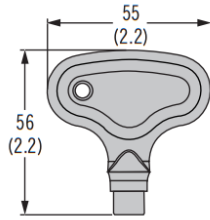
- Tool key: Zinc alloy or nylon
- Overmolded key: Nickel plated and ABS plastic black
- Flat key: Nickel plated



Keys Zinc or Nylon

H Head style

- 2 3 (.11) Double bit
- 3 7 (.28) Triangle
- 4 7 (.28) Square
- 7 8 (.32) Triangle
- 8 8 (.32) Square recess
- 9 5 (.19) Double bit (nylon only)
- 10 8 (.32) Square male (zinc only)
- 11 Bellcore electronics
- 12 Bellcore 216 (zinc only)
- 14 Railway Standard (zinc only)



F Finish

- 1 Plated zinc
- 2 Natural zinc
- 3 Nylon, black

E3 - H - F

Head Styles

- 2 3 (.11) Double bit
- 3 7 (.28) Triangle
- 4 7 (.28) Square
- 7 8 (.32) Triangle
- 8 8 (.32) Square recess
- 9 5 (.19) Double bit
- 10 8 (.32) Square male
- 11 Bellcore electronics
- 12 Bellcore 216
- 14 Railway Standard

Overmolded Keys

Key CH751



Key R001



Flat Keys

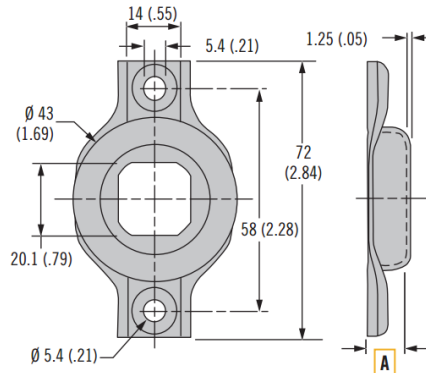
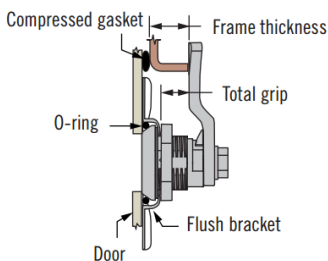
Key CH751



Part Number

- Overmolded key CH751:
 - Single: PK-10-10-05
 - Pair: PK-10-01-05
- Overmolded key R001:
 - Single: PK-10-10-05-KR001
 - Pair: PK-10-01-05-KR001
- Flat key
 - Pair: PK-10-01

Flush Mount Bracket



Material

- Stainless steel or galvanized steel with rubber o-ring

A	Part Number	Material
6.6	E3-77-1-12	Galvanized steel
6.6	E3-77-1-24	304 Stainless steel

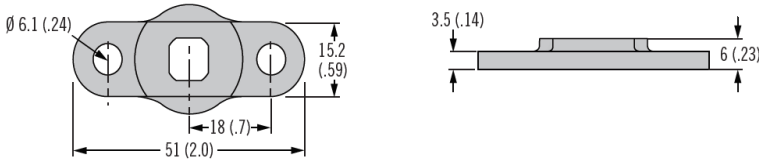
To calculate the **Total Grip**, use the following formula: **Frame Thickness + Compressed Gasket - A**.
Use this **Total Grip** with the appropriate E5 tables in the *SOUTHCO*® Handbook to determine cam type.

E5 Cam Latch Accessories

Multi-point actuators · Dummy cam



Multi-Point Actuator



Part Number	
A5-91-201-11	

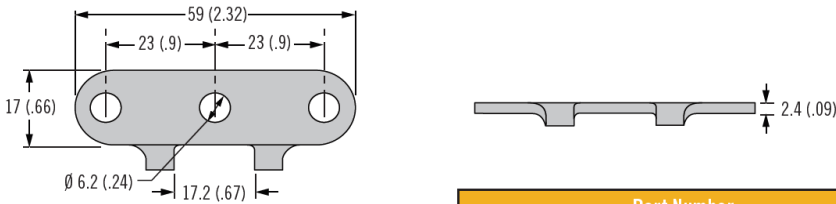
Material

- Zinc alloy

Notes

- Contact Gripwell for multi-point for cable assembly options
- Not recommended for Cylinder Lock version)
- Not to be used with low profile E5

Multi-Point Actuator - Low Profile



Part Number	
A8-4-01-03	

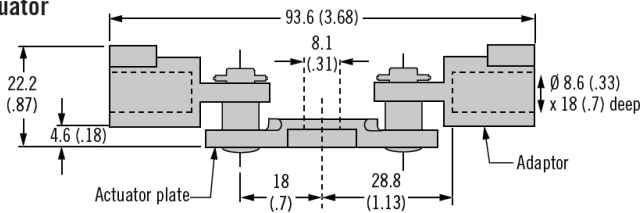
Material

- Steel plated

Notes

- Contact Gripwell for multi-point rod options
- For use with all E5 latches

Multi-Point Actuator



Part Number	
A5-90-101-11	

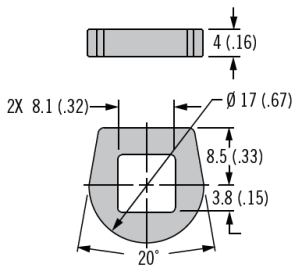
Material

- Zinc alloy and steel, zinc plated

Notes

- Contact Gripwell for multi-point rod options
- Not to be used with low profile E5

Dummy Cam



Part Number	
Steel	H3-0-45688
Stainless Steel	H3-0-45688-24

Material

- Steel, stainless steel

Notes

- Replaces cam when used with actuator plate A5-90-101-11 in order to create a 2-point latching system

E5 Cam Latch Accessories

Hooked cam · Multi-point actuator · Cable brackets



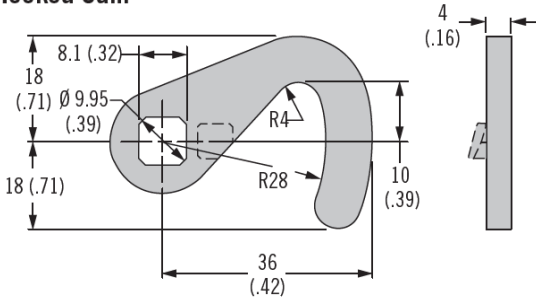
Material

- Hook cam: Steel, plated
- Multi-point actuator: Zinc alloy, plated
- Cable bracket: Steel, plated

Notes

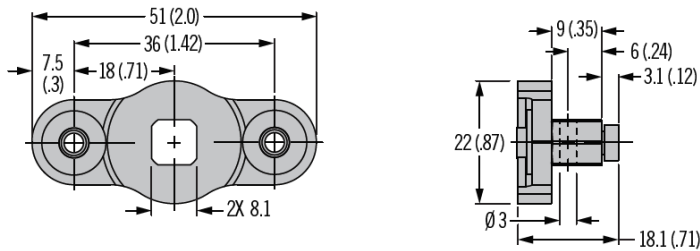
- Not to be used with low profile E5

Hooked Cam



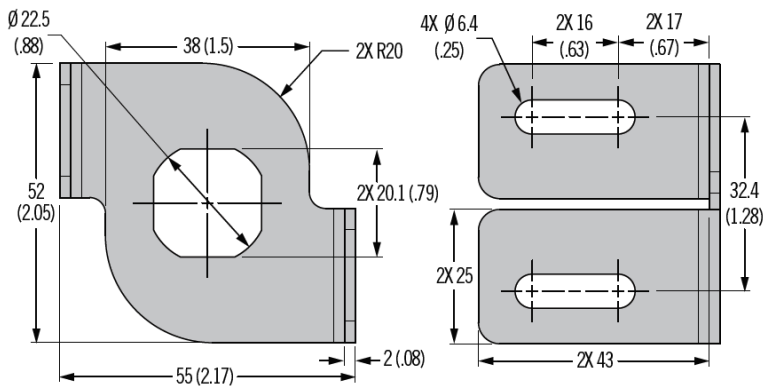
Hooked Cam Part Number	
E5-6200	No stop
E5-6210	Stop for clockwise rotation
E5-6220	Stop for counter-clockwise rotation

Multi-Point Actuator



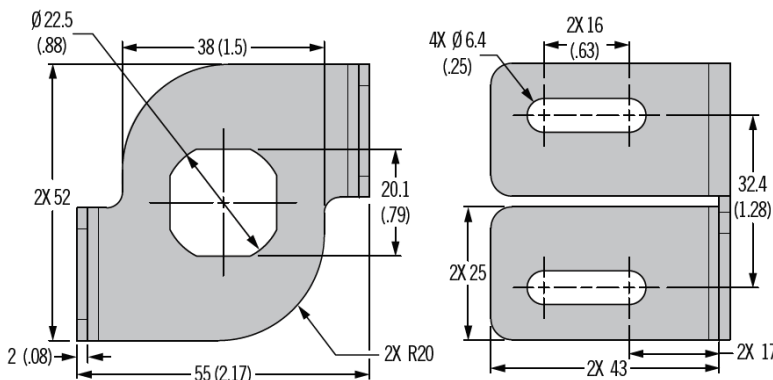
Part Number
A5-99-136

Cable Bracket – Counter Clockwise Rotation



Part Number
AC-0-49617-11-L

Cable Bracket – Clockwise Rotation



Part Number
AC-0-49617-11-R

E5 Cam Latch Accessories

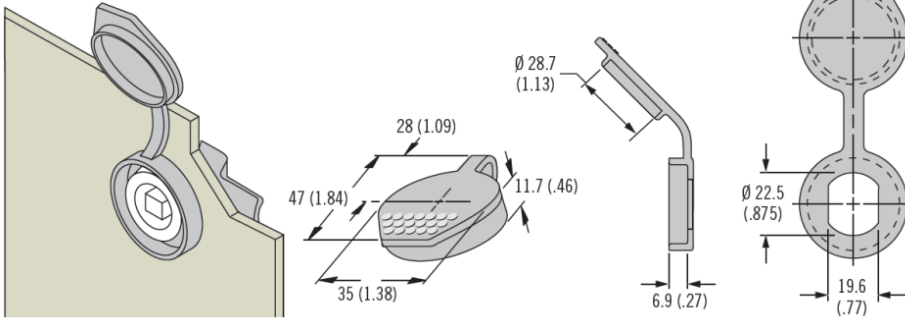
Sealing cover · Sealing washer · Pull tab · Padlock bracket



Material

- Sealing washer: Neoprene natural
- Sealing cover: Thermoplastic elastomer, black
- Padlock bracket: Stainless steel, black powder coated
- Pull tab: Nylon, black

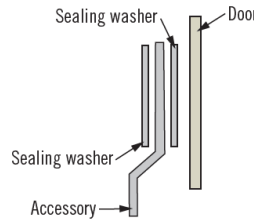
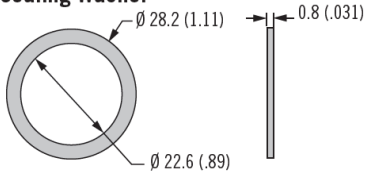
Sealing Cover



Installation Notes

- To provide sealing: use two sealing washers and add compressed thickness of each washer and accessory thickness to your door thickness range

Sealing Washer

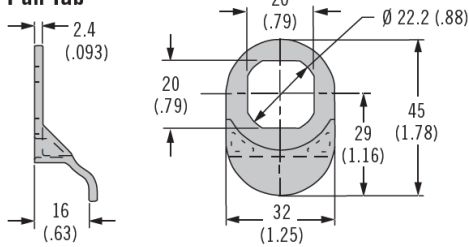


Notes

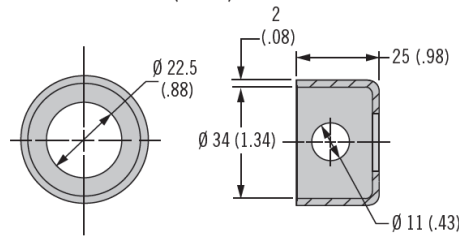
- Sealing cover for use with tool operated and cylinder lock E5 only
- Sealing washer for use with all E5 products
- Padlock brackets and pull tabs for use with tool operated and cylinder lock E5 only

Type	Part Number	Grip Adjustment Formula
Sealing washer	E5-17	Add 0.4 (0.02) compressed height to door thickness
Sealing cover	90-3	Add 2.3 (.090) to door thickness

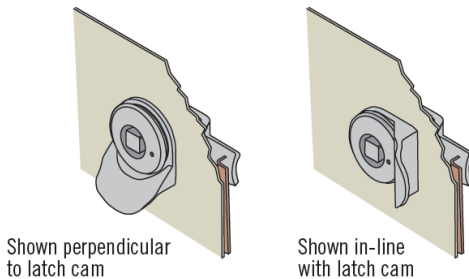
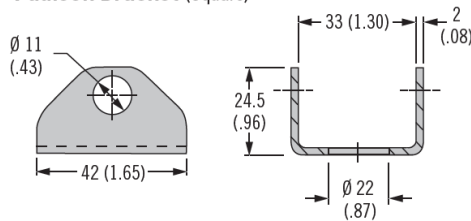
Pull Tab



Padlock Bracket (Round)



Padlock Bracket (Square)



Type	Part Number	Grip Adjustment Formula
Padlock bracket square	E3-77-101-31	Add 2 (.08) to door thickness
Padlock bracket round	E3-77-102-31	Add 2 (.08) to door thickness
Pull tab	E5-18	Add 2.4 (.093) to door thickness

southco
We are proud to be
Southco's authorized
distributor of over 20 years